

ECR50-16 TYPE

Solenoid protection rate: IP40 (EN60529)
 Insulation class: B (130°C)
 Cycle duration: 5 minutes
 Standard stroke "s": 16 mm
 Temperature rise: "ΔV₃₁" 70°C
 Work: pull/push
 Incorporated return spring: NO

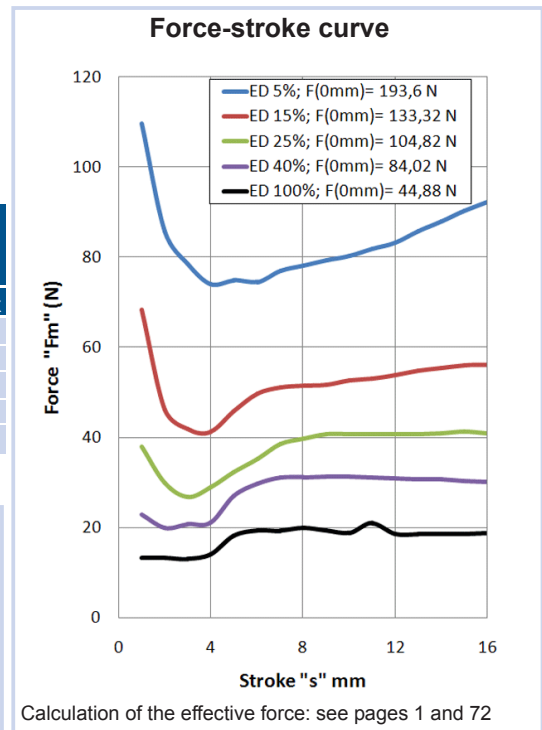


Duty-cycle ED(%)	100	40	25	15	5
Abs. Power at 20°C (W)	20	45	70	120	320
Minimum force (N)	13	18	26	41	72
Max time under voltage(s)	∞	120	75	45	15
Plunger weight (g)	220				
Solenoid weight (kg)	1.4				

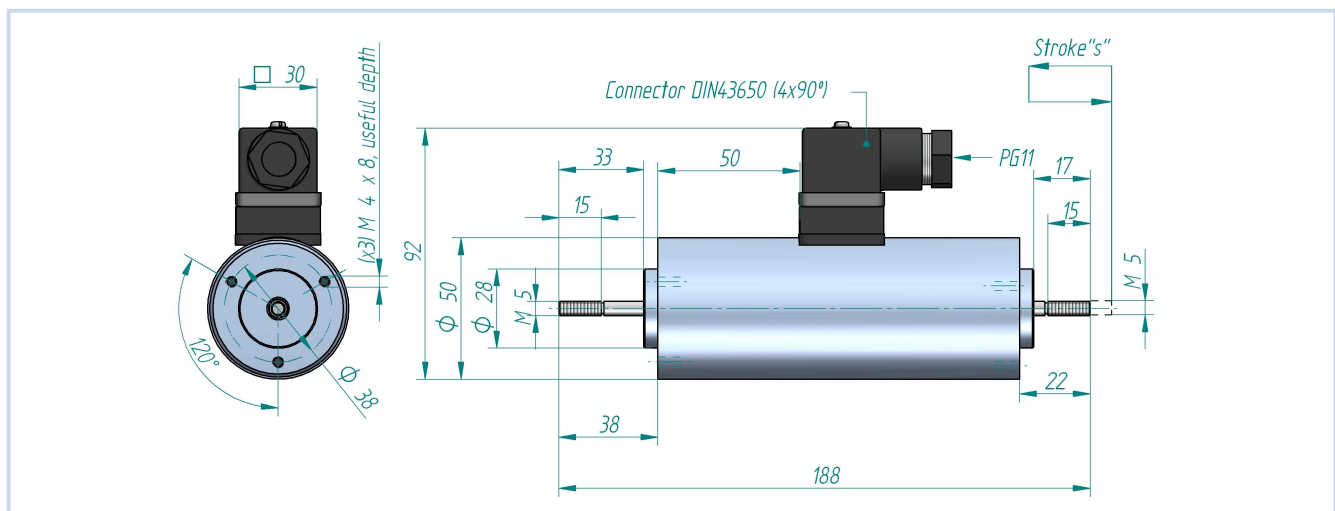
Duty-cycle ED%	Standard voltages								Under demand voltages				
	VDC							VAC		VDC		VAC	
	6	12	24	48	100	125	205	110	230	Min	Max	Min	Max
100%	o	o	o	o	o	o	o	x	x	5	250	x	x
40%	x	o	o	o	o	o	o	x	x	9	250	x	x
25%	x	o	o	o	o	o	o	x	x	9	250	x	x
15%	x	o	o	o	o	o	o	x	x	12	250	x	x
5%	x	x	o	o	o	o	o	x	x	24	250	x	x

Lay out: o = Available ; x = Unavailable

- 1) Voltage under demand: They can be manufactured at any voltage between the maximum and minimum voltage values shown in the chart.
- 2) To feed in alternating current, there has to be an external rectification of the signal.
- 3) The duty-cycles described in the chart are standard, they can be manufactured in any intermediate cycle.
- 4) If any variation from the original is needed, please ask us.



Solenoid under voltage



For fixation of the solenoid: see page 72

Ordering code: ECR50-16 --V ED---%

Example: Standard voltage: 24Vdc Duty-cycle: ED100%: ECR50-16 24Vdc ED100%
 Standard voltage: 12Vdc Duty-cycle: ED15%: ECR50-16 12Vdc ED15%