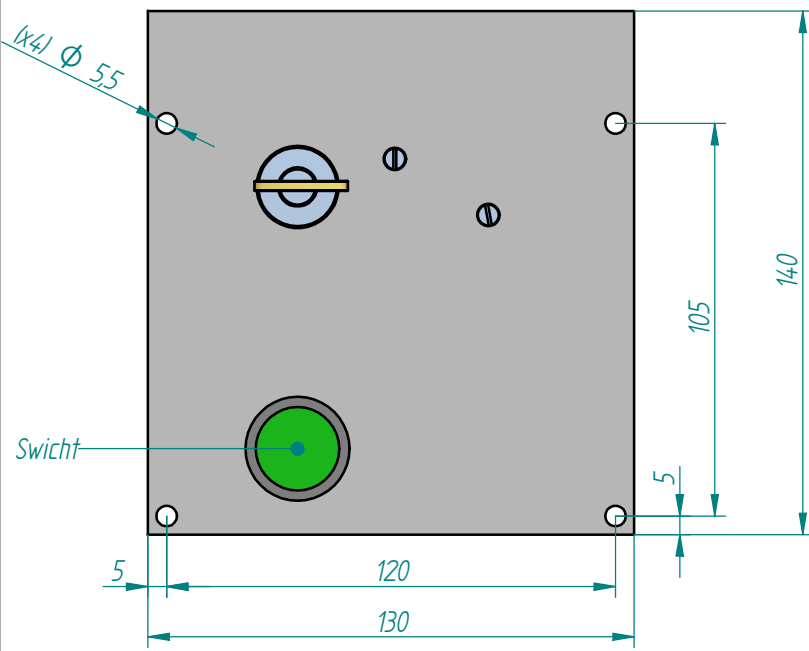


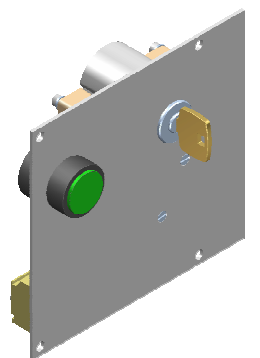
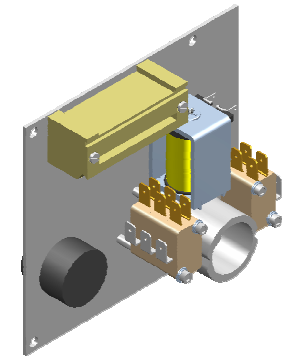
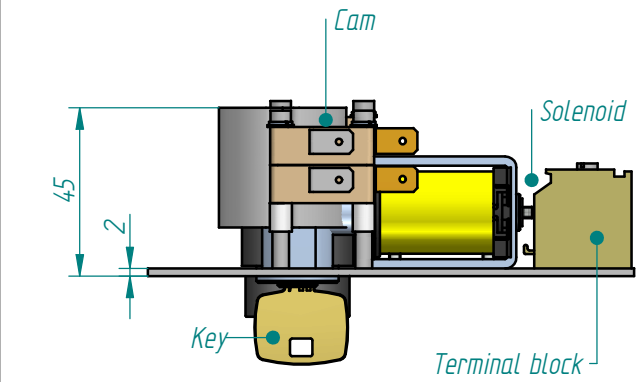
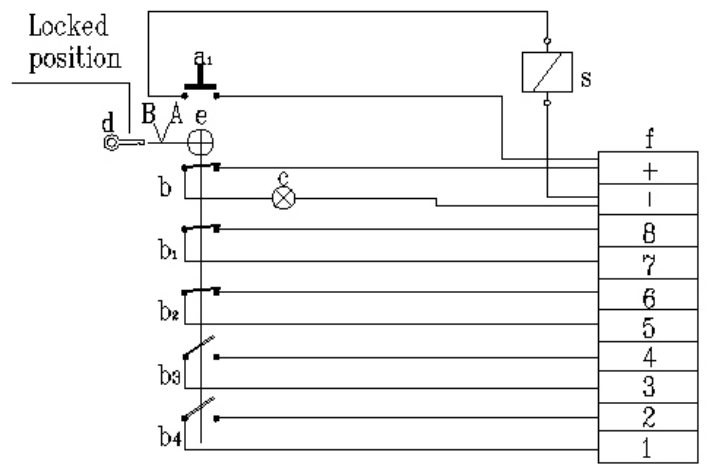
Revisions			
Rev	Description	Date	Approved



Technical data:

Protection rate: IP00  
 Insulation class: B (130°C)  
 Standard operating voltage: 24,48,125 Vdc  
 230 Vac  
 Absorbed power at 20° C: 8.5W  
 Duty-cycle: E0100%  
 Weight: 0.64kg

Electrical diagram: Disposition with 5 micros (3NC and 2 NO)



S=Solenoid  
 a1=Switch with lamp  
 b=Microswitch (to keep lamp on when actionate the key)  
 b1,b2,b3,b4 =Microswicht available  
 c=Lamp  
 d=Bolt key to actionate the cam (e)  
 e=Cam to actionate the microsichts  
 f=Terminal block

Microswicht caracteristiques:

30Vdc/10A  
 125Vdc/0.6A  
 250Vac/15A

Name		Date		NAFSA S.A.	<b>Electroimanes NAFSA S.L.</b>	
Drawn	O.0tiñano	4/02/2014			Title Electrical locking bolts	
Checked	A.Zuberogoitia	4/02/2014				
Approved					A3 Drawing C30M5-NC2 Rev	
Coating						
Unless otherwise indications dimmensions on milimeters, angles in degrees, tolerances ±0,1 y ±10' Beveled edge 0,3x45° Rugosity: Ra1,6				Material:		
Scale		Weight		Sheet 1 of 1		