

T90

Ball Screw Drive, Slide Guide

- » Ordering Key - see page 75
- » Mounting Options - see page 50
- » Adapter Options - see page 54
- » Glossary - see page 80



Standard Features and Benefits

- Compact, robust and reliable
- High-accuracy ball screw drive
- Stroke up to 1500 mm
- Load up to 20000 N
- Speed up to 2 m/s
- Hard-chromed steel extension tube
- IP65 as standard
- Mounting accessories according to hydraulic cylinder standards available.

General Specifications

Parameter	T90
Profile size (w × h) [mm]	90 × 92
Type of screw	ball screw with single nut
Protection class	IP65
Lubrication	one point lubrication of ballscrew
Included accessories	–

Rod Idle Torque (M_{idle}) [Nm]

Input speed [rpm]	Screw lead (p) [mm]				
	p = 5	p = 10	p = 20	p = 25	p = 32
500	1,5	1,5	3,0	2,0	3,5

M_{idle} = the input torque needed to move the rod with no load on it.

Performance Specifications

Parameter		T90
Stroke length (S max), maximum	[mm]	1500
Linear speed, maximum	[m/s]	2,0
Acceleration, maximum	[m/s ²]	8
Repeatability	[± mm]	0,05
Input speed, maximum	[rpm]	
screw diam./lead 25/05 mm		3000
screw diam./lead 25/10, 25/25 mm		4000
screw diam./lead 32/10, 32/20, 32/32 mm		3750
Operation temperature limits	[°C]	-20 – 70
Dynamic load (F _x), maximum	[N]	
screw diameter 25 mm		10000
screw diameter 32 mm		20000
Dynamic load (F _y), maximum	[N]	
screw diameter 25 mm		300 ¹
screw diameter 32 mm		500 ¹
Dynamic load (F _z), maximum	[N]	
screw diameter 25 mm		300 ¹
screw diameter 32 mm		500 ¹
Dynamic load torque (M _z , M _y), max.	[Nm]	150 ¹
Drive shaft force (F _{rd}), maximum	[N]	
screw diameter 25 mm		1000
screw diameter 32 mm		1300
Drive shaft torque/input torque (M _{ta}), max.	[Nm]	
screw diameter 25 mm		48
screw diameter 32 mm		93
Screw versions, diameter (d ₀) / lead (p)	[mm]	25/05, 25/10, 25/25, 32/10, 32/20, 32/32
Weight of units with screw diameter 25 mm of unit with zero stroke of every 100 mm of stroke	[kg]	8,16 1,62
Weight of units with screw diameter 32 mm of unit with zero stroke of every 100 mm of stroke	[kg]	10,64 1,80

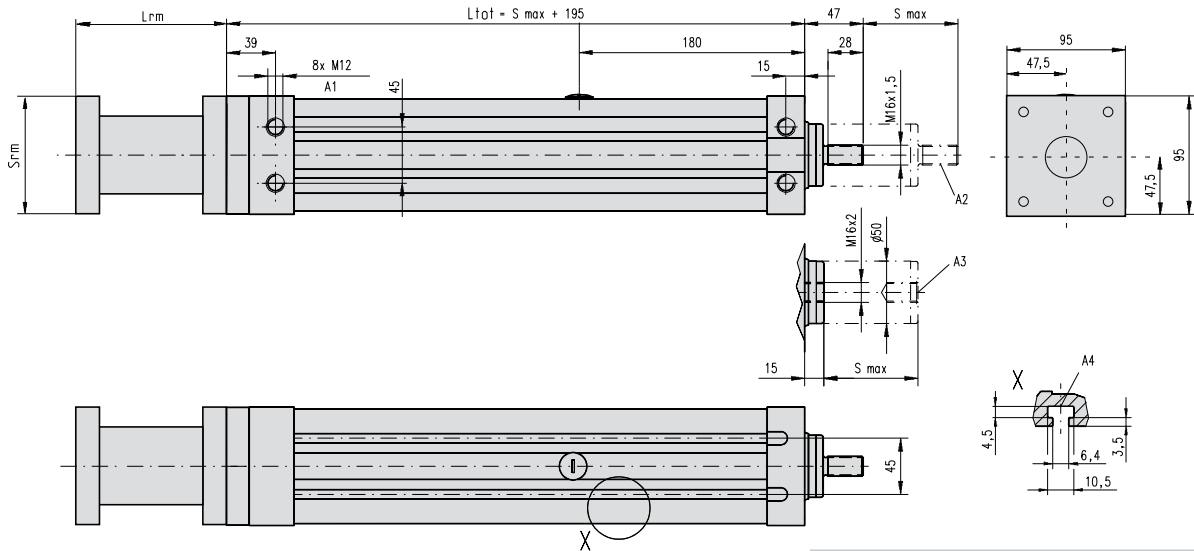
¹ Value for the complete unit

T90

Ball Screw Drive, Slide Guide

Dimensions	Projection
METRIC	

T09-x25
screw $\varnothing 25$ mm



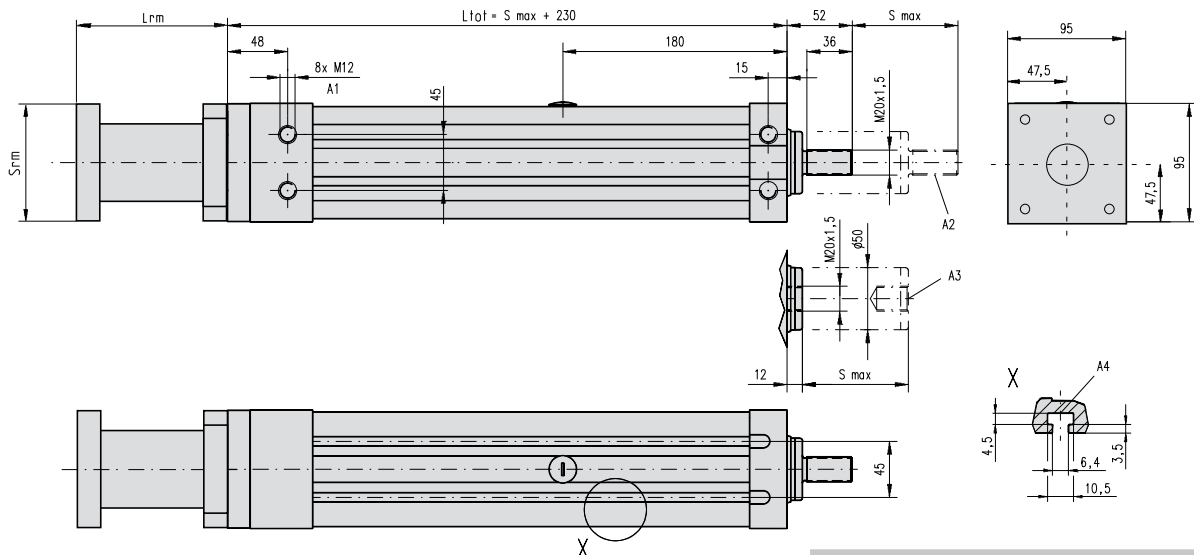
A1: depth 33
A2: outside thread
A3: inside thread
A4: T-slot

RediMount Flange Specifications

Parameter	Min	Max	
Flange length (Lrm)	[mm]	81	143
Flange square (Srm)	[mm]	90	200
Flange weight *	[kg]	5,60	

* Max. weight including coupling and fastening screws

T09-x32
screw $\varnothing 32$ mm



A1: depth 43
A2: outside thread
A3: inside thread
A4: T-slot

RediMount Flange Specifications

Parameter	Min	Max	
Flange length (Lrm)	[mm]	81	143
Flange square (Srm)	[mm]	90	200
Flange weight *	[kg]	6,00	

* Max. weight including coupling and fastening screws