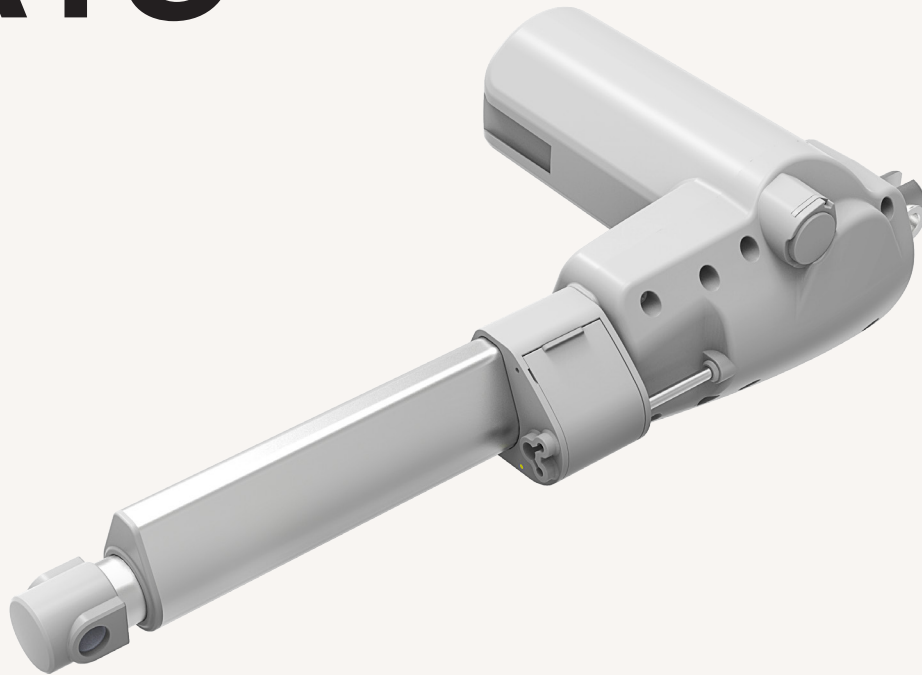


TA15

series



Product Segments

• Care Motion

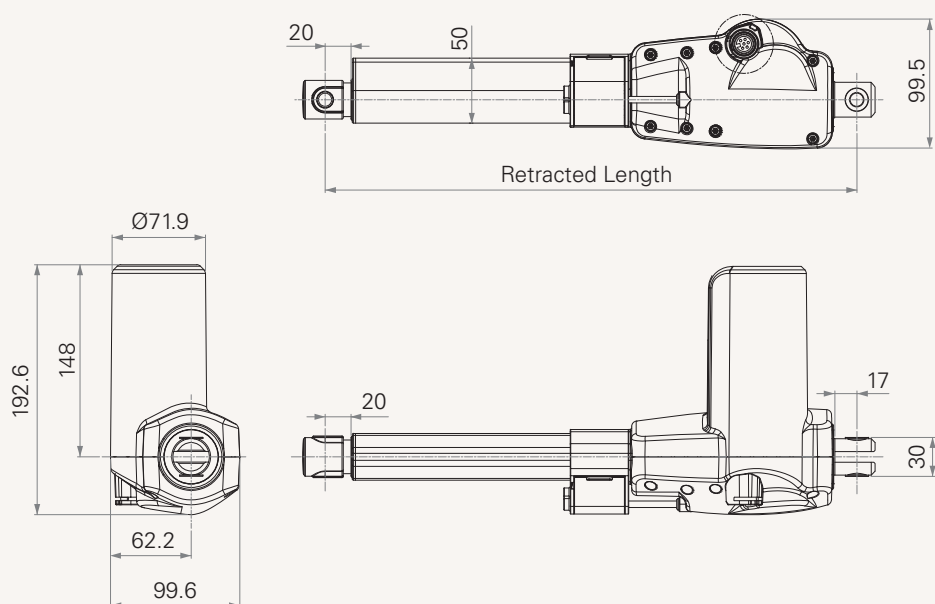
TiMOTION's TA15 series linear actuator was specifically designed for bariatric bed applications. These beds require a robust, long life solution that incorporates safety, reliability and effortless operation. A significant feature of the TA15 linear actuator is the manual release function that allows for lowering of the patient in the event of an emergency or electrical power outage.

General Features

Voltage of motor	24V DC or 36V DC
Maximum load	8,000N in push
Maximum load	4,000N in pull
Maximum speed at no load	8.4mm/s
Maximum speed at full load	4.4mm/s
Minimum installation dimension	stroke+210mm
Color	black or grey
For bariatric bed application especially	

Drawing

Standard Dimension
(mm)



Load and Speed

CODE	Rated Load		Self Locking N (PUSH)	Typical Current at Rated Load (A)	Typical Speed	
	PUSH N	PULL N			No Load (32V DC) mm/s	Rated Load (24V DC) mm/s
T	8000	4000	8000	6	8.4	4.4

Motor Speed (3000RPM)

Note

- The left diagram shows the speed and current figures under pushing condition.

Terms of Use

The user is responsible for determining the suitability of TiMOTION products for a specific application.

Due to continuous development in order to improve our products, TiMOTION products are subject to frequent modifications and changes without prior notice.

TiMOTION reserves the right to discontinue the sale of any products displayed on its website or listed in its catalogue or other written materials drawn up by TiMOTION.

Additional Retracted Length

TA Series	Safety Stroke Limit (mm)	Additional Stroke (mm)	Additional Invalid Length (mm)
TA15	300	0<additional stroke≤50	10

Note

- 1 Above stroke recommendation is based on safety stroke limit, for each additional 50mm stroke, it needs to add 5mm for the retracted length.

For example

- 1 If TA15's stroke is 301mm, the retracted length = 301mm+invalid length+10mm.

TA15 Ordering Key

TA15

Version: 20140527-A

<input type="checkbox"/>	Voltage	2 = 24V	3 = 36V
<input type="checkbox"/>	Load and Speed	See appendix	
<input type="checkbox"/>	Stroke (mm)		
<input type="checkbox"/>	Retracted Length (mm)	Stroke+220mm (for front attachment 1, 2, 3, 4) Stroke+210mm (for front attachment B, C) Note 1 : before selecting retracted length, please refer to the additional retracted length chart Note 2 : if choose handle quick release, please add 10cm for retracted length	
<input type="checkbox"/>	Rear Attachment	1 = Casting U clevis, slot 8.2 mm, hole 10.2mm 2 = Casting U clevis, slot 8.2 mm, hole 12.2mm 3 = Casting U clevis, slot 10.2 mm, hole 10.2mm	4 = Casting U clevis, slot 10.2 mm, hole 12.2mm A = Customized
<input type="checkbox"/>	Front Attachment	1 = Casting U clevis, slot 8.2 mm, hole 10.2mm 2 = Casting U clevis, slot 8.2 mm, hole 12.2mm 3 = Casting U clevis, slot 10.2 mm, hole 10.2mm	4 = Casting U clevis, slot 10.2 mm, hole 12.2mm A = Customized
<input type="checkbox"/>	Direction of Rear Attachment (Counterclockwise)	1 = 0°	3 = 90°
<input type="checkbox"/>	Color	1 = Black	2 = Grey (Pantone 428C)
<input type="checkbox"/>	IP Protection	1 = Without	2 = IP54 3 = IP66 5 = IP66W
<input type="checkbox"/>	Quick Release	0 = Without	1 = Manual release 2 = Cable (standard)
<input type="checkbox"/>	Special Functions for Spindle Sub-Assembly	0 = Without (standard) 1 = Safety nut	2 = Standard push only 3 = Safety nut and standard push only Note 1 : when rated load ≥6000N, it can't choose #2 Note 2 : when rated load ≥8000N, it can't choose #0, #2
<input type="checkbox"/>	Functions for Limit Switches	1 = Two switches at the retracted/extended positions to cut current 2 = Two switches at the retracted/extended positions to cut current with the third one in between to send signal 3 = Two switches at the retracted/extended positions to send signal	4 = Two switches at the retracted/extended positions and the third one in between to send signal A = Customized
<input type="checkbox"/>	Output Signals	0 = Without	2 = Two Hall sensors 3 = Reed sensor 4 = POT

Terms of Use

The user is responsible for determining the suitability of TiMOTION products for a specific application. TiMOTION products are subject to change without prior notice.