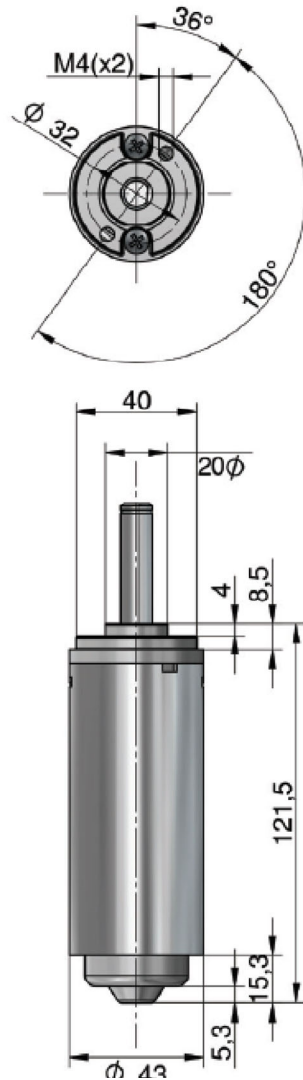


AxiPro motor RWM42



TECHNICAL DATA

DESCRIPTION	VALUE
Supply Voltage (VDC)	12, 24
No Load speed (RPM)	2800-6400
Max Output Power (W)	< 50
Starting Torque (Nm)	< 0,3
Duty Type	S3
Weight (Kg)	< 0,6
Accessories	<ul style="list-style-type: none"> • Standard EMC filter • Single channel Hall sensor with 1 pulse/revolution
Customizations	<ul style="list-style-type: none"> • EMC filter • Thermal protection • Output shaft • Connector and wiring

