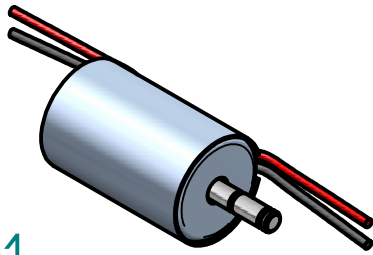
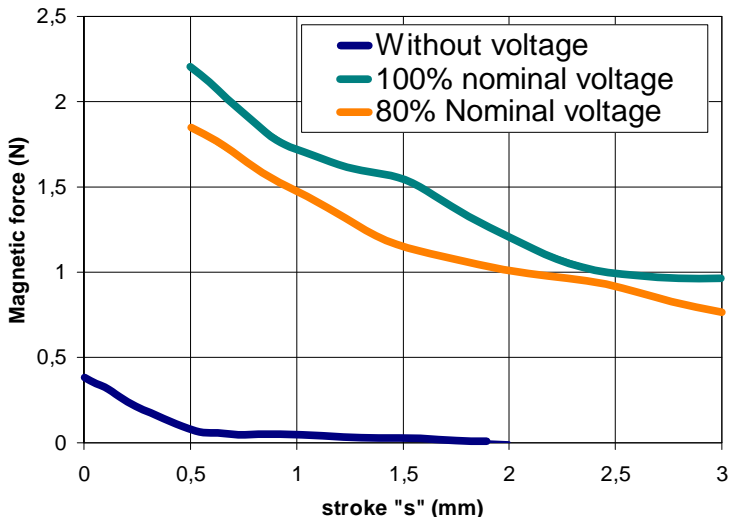
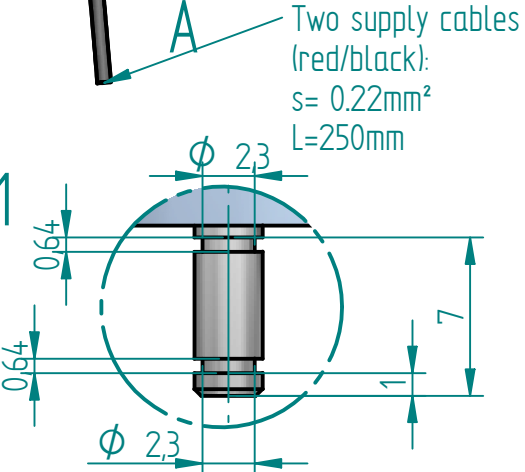
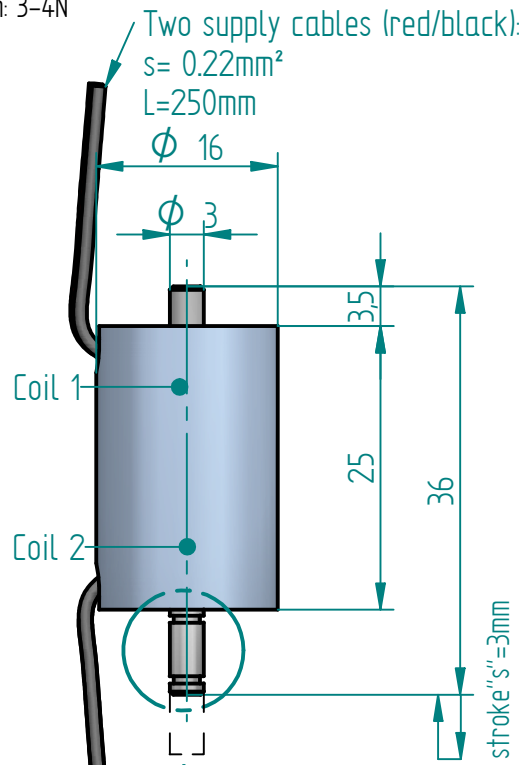
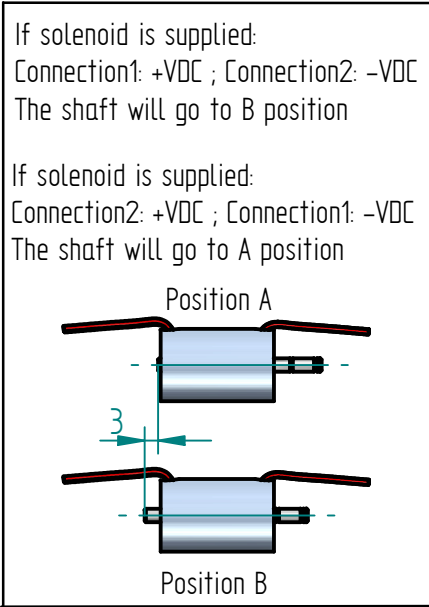
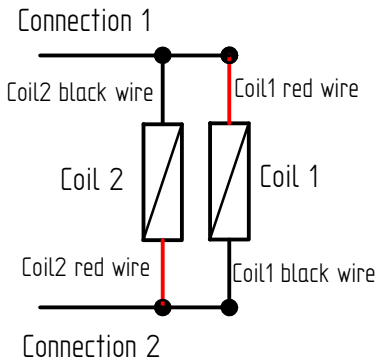


Revisions			
Rev	Description	Date	Approved



1:1

Protection rate: IP40
 Thermal class: Y (90°C)
 Available voltages: 2.4VDC, 3VDC, 3.6VDC, 5VDC, 6VDC, 9VDC, 12VDC, 24VDC
 Power at 20°C: 6W (3W for each coil)
 Duty cycle: ED25%
 Stroke: 3mm
 Weight: 26 gr
 Holding force at end stroke position: 3-4N



	Name	Date
Drawn	O.Otiñane Erk.	25/9/2012
Checked	A.Zuberogoitia	25/9/2012
Approved		
Coating		

N A F S A		
	Title	

Linear bistable two way solenoid		
A4	Drawing ECD16-03/C	Rev

Material:		
Scale 3:2	Weight 0.026 Kg	Sheet 1 of 1

Unless otherwise indications
 dimensions on millimeters, angles in
 degrees, tolerances ±0,1 y ±10'
 Beveled edge 0,3x45°
 Rugosity: Ra1,6