

# T130

## Ball Screw Drive, Slide Guide

- » Ordering Key - see page 75
- » Mounting Options - see page 50
- » Adapter Options - see page 54
- » Glossary - see page 80



### Standard Features and Benefits

- Compact, robust and reliable
- High-accuracy ball screw drive
- Stroke up to 2000 mm
- Load up to 60000 N
- Speed up to 2 m/s
- Hard-chromed steel extension tube
- IP65 as standard
- Mounting accessories according to hydraulic cylinder standards available.

### General Specifications

Parameter	T130
Profile size (w × h) [mm]	130 × 130
Type of screw	ball screw with single nut
Protection class	IP65
Lubrication	one point lubrication of ballscrew
Included accessories	–

### Rod Idle Torque (M<sub>idle</sub>) [Nm]

Input speed [rpm]	Screw diameter (do) [mm] / lead (p) [mm]			
	do = 40			do = 50
	p = 10	p = 20	p = 40	p = 10
500	4,5	4,5	5,5	5,5

M<sub>idle</sub> = the input torque needed to move the rod with no load on it.

### Performance Specifications

Parameter	T130
Stroke length (S max), maximum [mm]	2000
Linear speed, maximum [m/s]	2,0
Acceleration, maximum [m/s <sup>2</sup> ]	8
Repeatability [± mm]	0,05
Input speed, maximum [rpm]	2500
screw diameter/lead 40/10 mm	3000
screw diameter/lead 40/20, 40/40 mm	2000
screw diameter/lead 50/10 mm	
Operation temperature limits [°C]	- 20 – 70
Dynamic load (Fx), maximum [N]	60000
screw diameter/lead 50/10 mm	40000
screw diameter/lead 40/10 mm	35000
screw diameter/lead 40/20 mm	15000
screw diameter/lead 40/40 mm	
Dynamic load (Fy), maximum [N]	800 <sup>1</sup>
Dynamic load (Fz), maximum [N]	800 <sup>1</sup>
Dynamic load torque (My, Mz), max. [Nm]	300 <sup>1</sup>
Drive shaft force (Frd), maximum [N]	3000
Drive shaft torque/input torque (Mta), max. [Nm]	140
T13-x40	200
T13-B50	140
T13-K50	
Screw versions, diameter (do) / lead (p) [mm]	40/10, 40/20, 40/40, 50/10
Weight of units with screw diameter 40 mm of unit with zero stroke of every 100 mm of stroke [kg]	18,50
	3,00
Weight of units with screw diameter 50 mm of unit with zero stroke of every 100 mm of stroke [kg]	25,40
	3,60

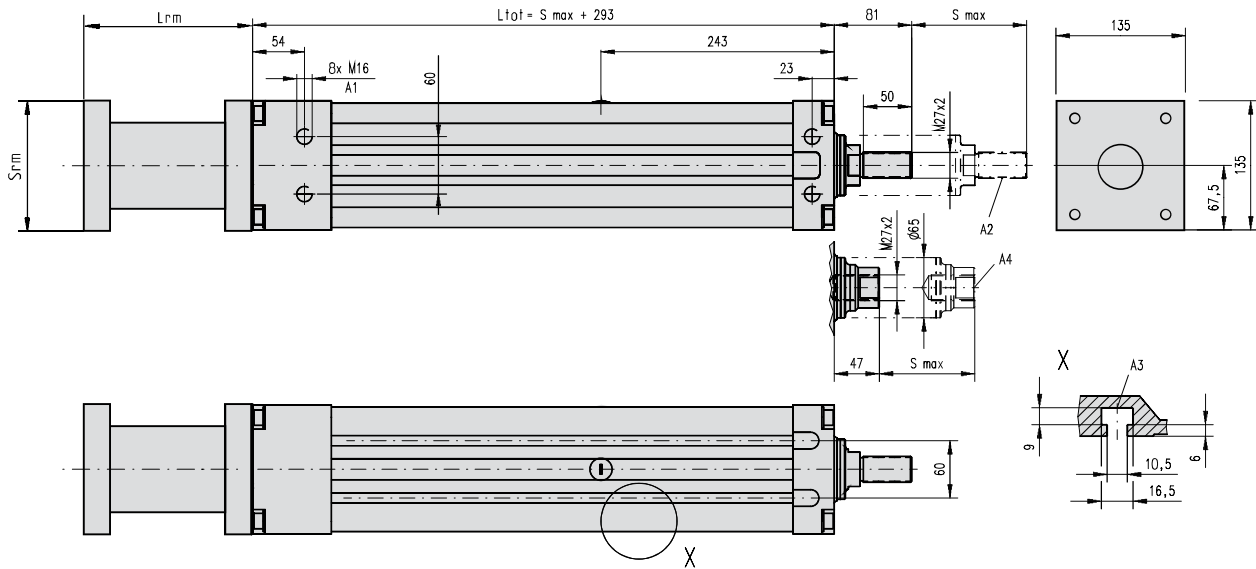
<sup>1</sup> Value for the complete unit

# T130

## Ball Screw Drive, Slide Guide

Dimensions	Projection
METRIC	

T13-x40  
screw  $\varnothing 40$  mm



A1: depth 28  
A2: outside thread

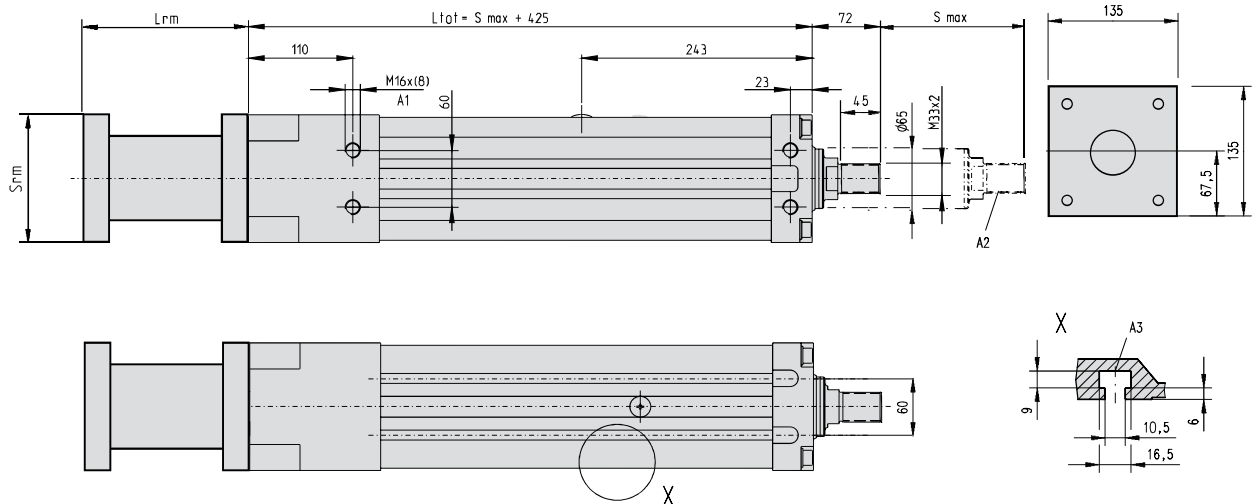
A3: T-slot  
A4: inside thread

### RediMount Flange Specifications

Parameter	Min	Max
Flange length (Lrm) [mm]	81	143
Flange square (Srm) [mm]	90	200
Flange weight * [kg]	6,50	

\* Max. weight including coupling and fastening screws

T13-x50  
screw  $\varnothing 50$  mm



A1: depth 28  
A2: outside thread

A3: T-slot

### RediMount Flange Specifications

Parameter	Min	Max
Flange length (Lrm) [mm]	106	154
Flange square (Srm) [mm]	110	200
Flange weight * [kg]	7,13	

\* Max. weight including coupling and fastening screws