

T60

Ball Screw Drive, Slide Guide

- » Ordering Key - see page 75
- » Mounting Options - see page 50
- » Adapter Options - see page 54
- » Glossary - see page 80



Standard Features and Benefits

- Compact, robust and reliable
- High-accuracy ball screw drive
- Stroke up to 1500 mm
- Load up to 10 000 N
- Speed up to 2,5 m/s
- Hard-chromed steel extension tube
- IP65 as standard
- Mounting accessories according to hydraulic cylinder standards available

General Specifications

Parameter	T60
Profile size (w × h) [mm]	75 × 60
Type of screw	ball screw with single nut
Protection class	IP65
Lubrication	one point lubrication of ballscrew
Included accessories	–

Rod Idle Torque (M_{idle}) [Nm]

Input speed [rpm]	Screw lead (p) [mm]			
	p = 5	p = 10	p = 25	p = 50
500	1,5	1,5	2	3,5

M_{idle} = the input torque needed to move the rod with no load on it.

Performance Specifications

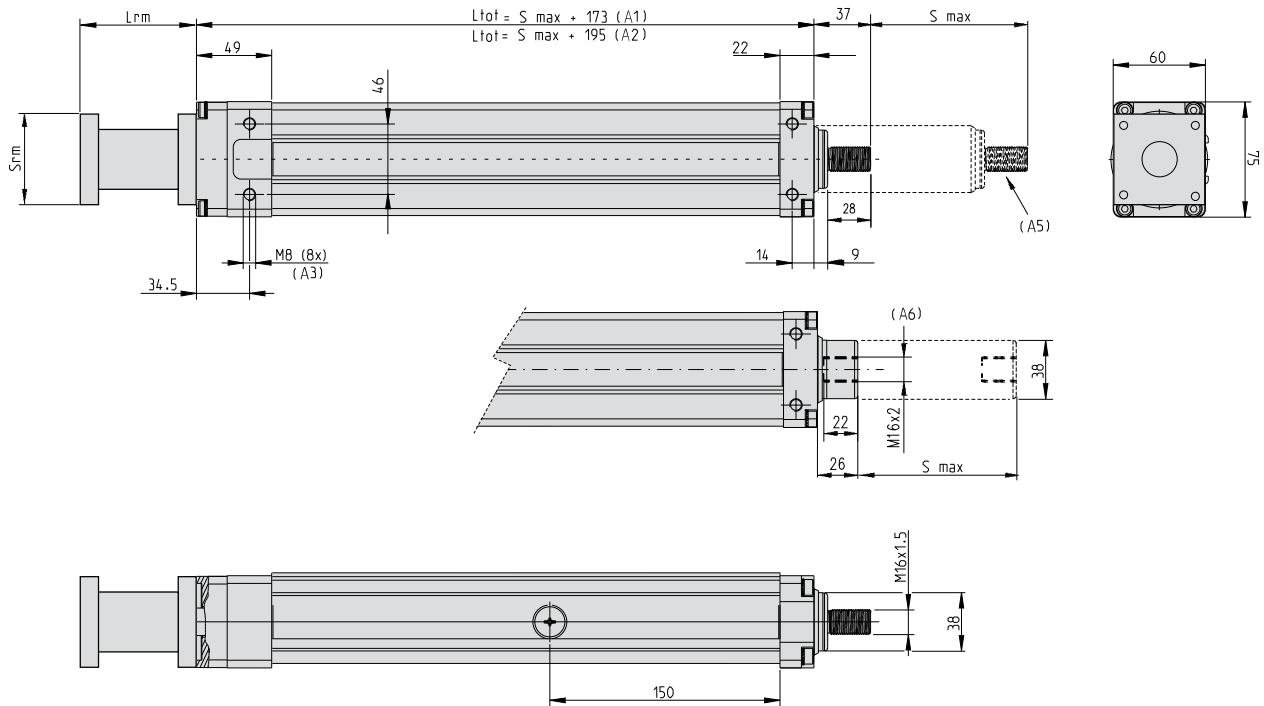
Parameter		T60
Stroke length (S max), maximum	[mm]	1500
Linear speed, maximum	[m/s]	2,5
Acceleration, maximum	[m/s ²]	20
Repeatability	[± mm]	0,05
Input speed, maximum	[rpm]	4000
screw diameter/lead 25/10, 25/25		3000
screw diameter/lead 25/05, 25/50		
Operation temperature limits	[°C]	-20 – 70
Dynamic load (F _x), maximum	[N]	10000
Dynamic load (F _y), maximum	[N]	100
Dynamic load (F _z), maximum	[N]	100
Dynamic load torque (M _z , M _y), max.	[Nm]	50
Drive shaft force (F _{rd}), maximum	[N]	1000
Drive shaft torque/input torque (M _{ta}), max.	[Nm]	
T06-B25		48
T06-G25		40
T06-H25		48
Screw versions, diameter (d _o) / lead (p)	[mm]	25/05, 25/10, 25/25, 25/50
Weight of units	[kg]	
of unit with zero stroke		5,20
of every 100 mm of stroke		0,95

¹ Value for the complete unit

T60

Ball Screw Drive, Slide Guide

Dimensions	Projection
METRIC	



- A1: screw 25/05 and 25/25
- A2: screw 25/10 and 25/50
- A3: depth 10
- A4: outside thread
- A5: inside thread

RediMount Flange Specifications			
Parameter		Min	Max
Flange length (Lrm)	[mm]	81	143
Flange square (Srm)	[mm]	90	200
Flange weight *	[kg]	5,60	

* Max. weight including coupling and fastening screws